



### Main

Product or component type	Biometric switch
Product specific application	Industrial machines Materials handling
Device short name	XB5S
Bezel material	Plastic
Mounting diameter	0.87 in (22 mm)
Output type	PNP
Sale per indivisible quantity	1
IP degree of protection	IP65 front face conforming to EN/IEC 60529 IP20 rear face conforming to EN/IEC 60529
Type of operator	Momentary
Operator profile	Fingerprint reader
Memory usage	200 users with up to 2 fingerprints per user

### Complementary

Software designation	XB5SSoft
Enclosure material	Polyamide PA66
Cable insulation material	PvR
Operating position	Flat surface installation Horizontal position Vertical surface installation
Function of module	Monostable
Product weight	0.47 lb(US) (0.215 kg)
Marking	CE
Communication port protocol	USB
Connector type	USB type A male with 3.28 ft (1 m) cable
Local signalling	1 LED green, function: output state indicator 1 LED red, function: error
Short-circuit protection	250 mA by gG external fuse
[Us] rated supply voltage	24 V DC
Electrical connection	M12 connector of 0.66 ft (0.2 m)
Supply voltage limits	20...30 V DC
Protection type	Overload protection Reverse polarity Short-circuit
Maximum switching current	<= 200 mA
[Ures] residual voltage	<= 1 V, closed state
Current consumption	<= 70 mA no-load
Delay first up	3 s + 0.5 ms per user registered
Delay recovery	1.5 s
Delay response	1.5 s

### Environment

range of product	Harmony XB5S
ambient air temperature for storage	-13...158 °F (-25...70 °C)
ambient air temperature for operation	23...122 °F (-5...50 °C)
NEMA degree of protection	NEMA 12
standards	IEC 61000-6-2 IEC 61000-6-4
product certifications	CSA

The information provided in this documentation contains general descriptions and/or technical characteristics of the performance of the products contained herein. This documentation is not intended as a substitute for and is not to be used for determining suitability or reliability of these products for specific user applications. It is the duty of any such user or integrator to perform the appropriate and complete risk analysis, evaluation and testing of the products with respect to the relevant specific application or use thereof. Neither Schneider Electric Industries SAS nor any of its affiliates or subsidiaries shall be responsible or liable for misuse of the information contained herein.

UL

vibration resistance	+/- 3 mm (f = 5...9 Hz) conforming to IEC 60068-2-6 1 gn (f = 9...500 Hz) conforming to IEC 60068-2-6
shock resistance	50 gn 11 ms conforming to IEC 60068-2-27

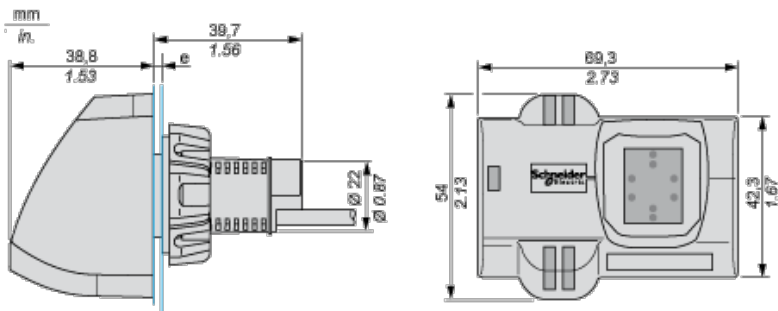
### Offer Sustainability

Not Green Premium product	Not Green Premium product
Will not be Compliant	Will not be Compliant
Available	Available

### Contractual warranty

Warranty period	18 months
-----------------	-----------

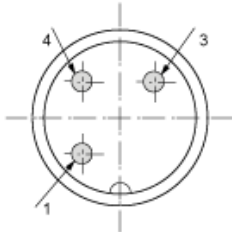
### Dimensions of Biometric Switches



e: 1 to 6 mm / 0.04 to 0.24 in.

### M12 Connector

M12 connector



- 1 : (+)
- 3 : (-)
- 4 : Output