



Main

| | |
|-------------------------------|---|
| Product or component type | Biometric switch |
| Product specific application | Industrial machines Materials handling |
| Device short name | XB5S |
| Bezel material | Plastic |
| Mounting diameter | 0.87 in (22 mm) |
| Output type | PNP |
| Sale per indivisible quantity | 1 |
| IP degree of protection | IP65 front face conforming to EN/IEC 60529 IP20 rear face conforming to EN/IEC 60529 |
| Type of operator | Momentary |
| Operator profile | Fingerprint reader |
| Connections - terminals | 1 pre-wired cable, clamping capacity: 3 x 0.34 mm ² |
| Memory usage | 200 users with up to 2 fingerprints per user |

Complementary

| | |
|---------------------------|--|
| Enclosure material | Polyamide PA66 |
| Cable insulation material | PvR |
| Operating position | Flat surface installation Horizontal position Vertical surface installation |
| Function of module | Monostable |
| Product weight | 0.37 lb(US) (0.17 kg) |
| Marking | CE |
| Local signalling | 1 LED green, function: output state indicator 1 LED red, function: error 1 LED red, function: reset 1 LED orange, function: administrator's registration mode 1 LED orange, function: operator's registration mode |
| Short-circuit protection | 250 mA by gG external fuse |
| [Us] rated supply voltage | 24 V DC |
| Electrical connection | Free wire ends with 3 wires of 6.56 ft (2 m) |
| Supply voltage limits | 20...30 V DC |
| Protection type | Overload protection Reverse polarity Short-circuit |
| Maximum switching current | <= 200 mA |
| [Ures] residual voltage | <= 1 V, closed state |
| Current consumption | <= 70 mA no-load |
| Delay first up | 3 s + 0.5 ms per user registered |
| Delay recovery | 1.5 s |
| Delay response | 1.5 s |

Environment

| | |
|---------------------------------------|--------------------------------|
| range of product | Harmony XB5S |
| ambient air temperature for storage | -13...158 °F (-25...70 °C) |
| ambient air temperature for operation | 23...122 °F (-5...50 °C) |
| NEMA degree of protection | NEMA 12 |
| standards | IEC 61000-6-2 IEC 61000-6-4 |

The information provided in this documentation contains general descriptions and/or technical characteristics of the performance of the products contained herein. This documentation is not intended as a substitute for and is not to be used for determining suitability or reliability of these products for specific user applications. It is the duty of any such user or integrator to perform the appropriate and complete risk analysis, evaluation and testing of the products with respect to the relevant specific application or use thereof. Neither Schneider Electric Industries SAS nor any of its affiliates or subsidiaries shall be responsible or liable for misuse of the information contained herein.

| | |
|------------------------|--|
| product certifications | CSA UL |
| vibration resistance | +/- 3 mm (f = 5...9 Hz) conforming to IEC 60068-2-6 1 gn (f = 9...500 Hz) conforming to IEC 60068-2-6 |
| shock resistance | 50 gn 11 ms conforming to IEC 60068-2-27 |

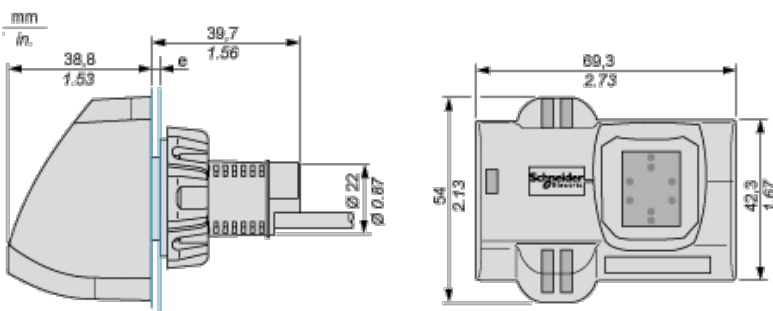
Offer Sustainability

| | |
|---|---|
| Not Green Premium product | Not Green Premium product |
| Compliant - since 0910 - Schneider Electric declaration of conformity | Compliant - since 0910 - Schneider Electric declaration of conformity |
| Reference not containing SVHC above the threshold | Reference not containing SVHC above the threshold |
| Available | Available |

Contractual warranty

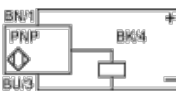
| | |
|-----------------|-----------|
| Warranty period | 18 months |
|-----------------|-----------|

Dimensions of Biometric Switches



e: 1 to 6 mm / 0.04 to 0.24 in.

Cable with PNP Output



- BU: Blue
- BN: Brown
- BK: Black